

## E) 技术参数 Specifications:

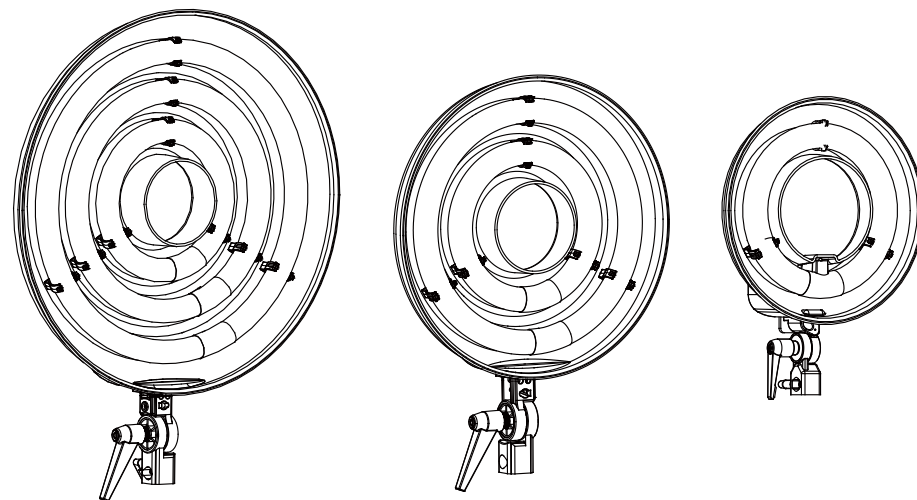
| 型号 Model no.:             | RFL-3  | RFL-2           | RFL-1        |
|---------------------------|--|-----------------|--------------|
| 灯管数量 No. of Tubes         | 3  | 2               | 1            |
| 灯管功率 Power                | 1X22W 1X28W 1X40W                                  | 1X22W 1X28W     | 1X22W        |
| 尺寸 Dimensions (LxWxH)     | 59x14x49cm   | 45x14x38cm      | 28x12.5x28cm |
| 色温 Color Temperature      | 5300K-5500K  |                 |              |
| 电压 Voltage                | AC220-240V 50Hzor AC110-120V/60Hz                  |                 |              |
| 中心孔径 Central Aperture     | Φ102mm   |                 |              |
| 重量 Weight                 | 1.6kg  | 1.45kg          | 1.3kg        |
| 包含配件 Accessories Included | 柔光面罩、相机支架 Diffusor, Camera Bracket(RFL-L)          |                 |              |
| 选购配件 Optional Accessories | 布袋、相机支架<br>Carrying Bag, Camera Bracket.(TMB-176L) | 布袋 Carrying Bag |              |

## F) 使用注意事项 Attention

- 1.请按照本产品所标注电压选择电源。
  - 2.不要在通电状况下装置或拆卸灯管，如需要拆卸灯管，请在关掉电源15分钟之后进行，以免被高温烫伤。
  - 3.非专业人士，请勿随便拆卸，否则后果自负。
  - 4.使用环境应保持干燥、通风注意防潮防水。
  - 5.产品表面有轻微的油渍及污渍请使用清洁布擦拭表面即可清除。
  - 6.请避免硬物将其划伤以至影响使用效果。
  - 7.使用产品时，请仔细阅读说明书。
- 1.Please use the appropriate voltage labeled on the product.
  - 2.Do not remove the fluorescent tube when the power is on.
  - 3.Do not remove the fluorescent tube until the light is switched off for at least 15 minutes in order to avoid scald.
  - 4.Since there can be high voltage inside the unit, Do NOT open or repair the unit yourself. If there is any defect, please contact an experienced technician.
  - 5.Keep the environment dry and ventilated when using the product. Do not leave or use the flash in humid or dusty environment.
  - 6.For best performance of tubes, maintain cleanliness of tubes by wiping the surface softly with clean cloth.
  - 7.Do NOT apply pressure to the product.
  - 8.Read this manual carefully before using the product.



## RFL-3 RFL-2 RFL-1 环形荧光灯说明书 Ring Fluorescent Light Instruction Manual



RFL-3

RFL-2

RFL-1

感谢您选购锐鹰公司的产品!

如欲了解更多相关产品的信息，请联系您当地的经销商或访问我们的网页。使用产品之前，请先仔细阅读说明书。

**Thank you for purchasing FalconEyes' products.**

**For further details of our related products, please contact your local distributor or visit our webpage at [www.falconeyes.com.hk](http://www.falconeyes.com.hk)**

**Thank you.**

**Please read this manual carefully before using this product.**

E-mail: [info@falconeyes.com.hk](mailto:info@falconeyes.com.hk)

Websit: [www.falconeyes.com.hk](http://www.falconeyes.com.hk)

## A) 产品概述 Product Overview

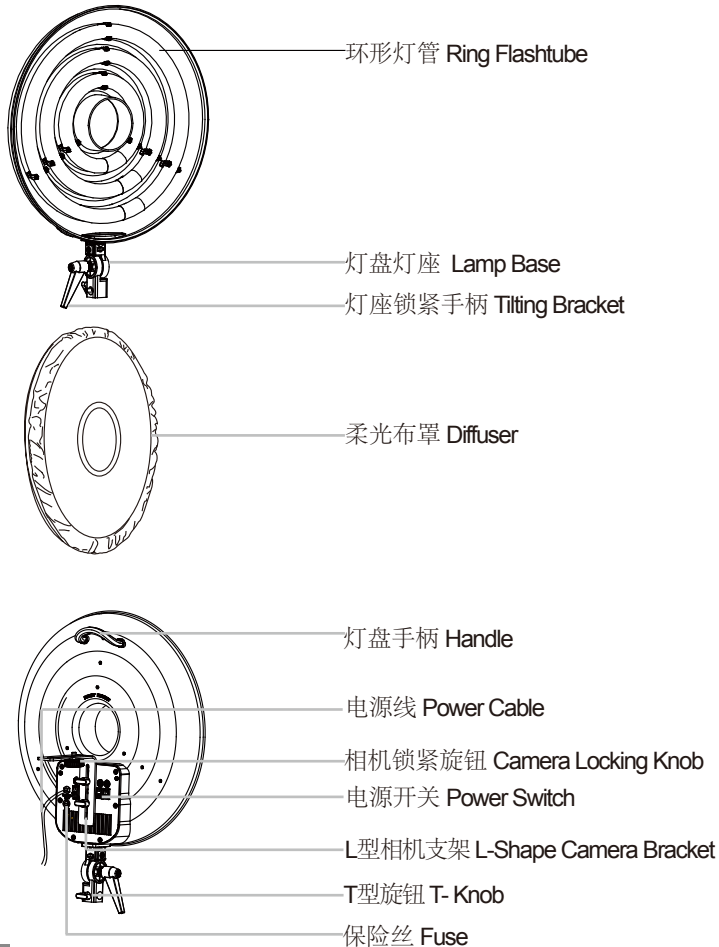
RFL系列环形荧光灯富有独特的外型及光效设计, 迎合现代近距离与写真摄影需求。灯体采用耐高温阻燃工程塑料, 保证了产品使用过程中的安全性, 光效真正达到无阴影, 灯管色温稳定、显色指数高、使用寿命长。

RFL列环形荧光灯, 灯体耐高温、坚固耐用, 全塑胶材质制造比传统金属材质的荧光灯更安全、更轻便; 此体光效高、光线均匀柔和、照射范围大、反射性能好; 通过特制的柔光布罩将光线转化为柔和的漫射光, 消除人像和被摄物体的高光斑, 它是一种理想的近距离与人像写真摄影灯。

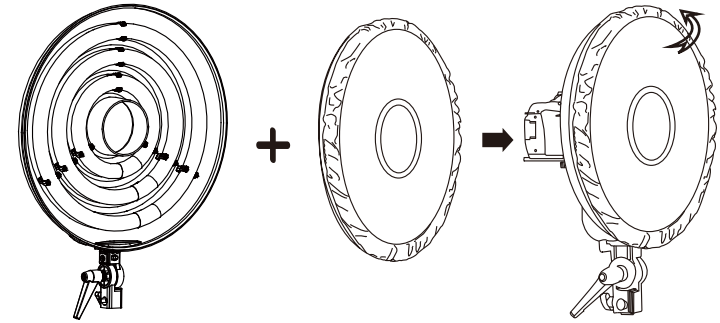
The RFL fluorescent ring light possesses unique appearance and special light effect. The three fluorescent tubes create only little heat, which is suitable for taking close-up shots and portrait. The lamp body employs thermo stable and flame-resistant materials, it is mainly made up of plastic which is more safety and portable than the traditional metallic fluorescent light and guarantee a secure usage. The light effect achieves stably without shadows, and comes with constant color temperature, high Color Rendering Index (CRI), and long service life.

RFL series Ring Fluorescent Light is the ideal partner of taking portrait and close up product photos.

## B) 功能示意图 Panel Diagram



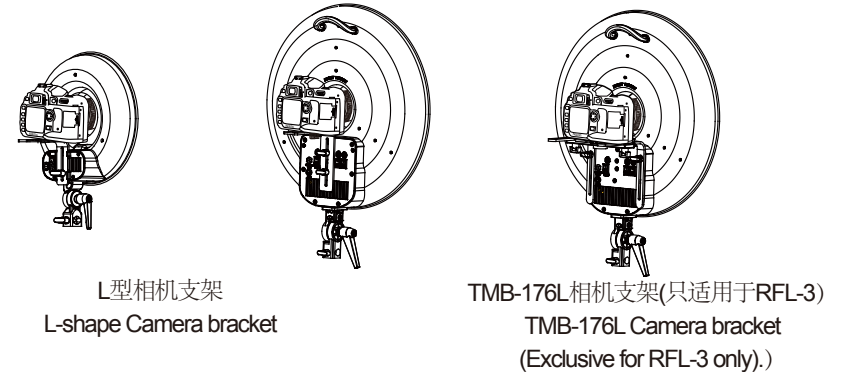
## C) 使用方法 Operation (Refer to the Diagram)



### 1、柔光布罩使用方法 Diffuser Operation:

首先将布罩中间孔钢圈卡入灯盘中心孔径当中, 然后将柔光布罩包边翻转过来包住灯盘边缘 (如图中所示), 用手轻拂平柔光布罩表面后用锁绳扣将布罩锁紧即可。

First, place the central wheel of the diffuser on the center bore of the Ring Fluorescent Light's lamp base. Then, turn over the edge of the diffuser so as to cover the edge of the Ring Fluorescent Light (as shown in the diagram). Flatten the diffuser and then secure by the cord lock.



### 2、相机支架使用方法 Camera bracket Operation:

L型相机支架---将L型相机支架用两个T型旋钮将其中一端固定在灯盘后面板两个竖直的牙孔当中 (如图所示), 然后将相机调整到合适位置用相机锁紧旋钮固定即可。

TMB-176L相机支架---将TMB-176L相机支架用两个T型旋钮将左右两端固定在灯盘后面板两个横向的牙孔当中 (如图所示), 然后将相机调整到合适位置用相机锁紧旋钮固定即可。<此相机支架只适用RFL-3环形荧光灯>

L-shape Camera bracket --- Screw the one end of the L-shape bracket with one or two pieces of T-knobs, and fix it on the two holes that vertically placed at the back of the panel (As shown in the diagram). Then adjust camera to the right position and fix it by Camera Locking Knob.

TMB-176L Camera bracket --- Screw the both ends of TMB-176L bracket with two pieces of T-knobs, and fix it on the two holes that horizontally placed at the back of the panel (As shown in the diagram). Then adjust camera to the right position and fix it by Camera Locking Knob.

(TMB-176L bracket is exclusive for RFL-3 only).