

## D) 使用功能 Function



- ①. 可调挡光板高度
- ②. 防滑手柄
- ③. 护肩负重
- ④. CNC物料连接零件
- ⑤. 9"杆 (可伸展)

- ①. Quick-release and height-adjustable PRO baseplate
- ②. Anti-slip and comfortable handle
- ③. Ergonomic shoulder pad with counterweight
- ④. CNC-made connecting parts
- ⑤. 9" support rods(can be extended)

## E) 注意事项 Precaution



- 1、使用产品时，请仔细阅读产品说明书。
- 2、购买产品时，请注意查看配件是否齐全。
- 3、请保持摄像托架干净勿刮伤损坏以免影响使用效果。
- 4、使用环境应保持干燥、通风注意防潮防水。
- 1、 Please read this user manual carefully before using the product.
- 2、 Please check if all accessories are well attached when purchasing the product.
- 3、 Please keep the rig in good condition, avoid damages in order to get it functioned properly.
- 4、 Store the product in dry and cool area. Avoid high humidity and direct water on the product.



## VRG-S2多功能防滑摄像托架 DSLR Shoulder Mounted Rigs



感谢您选购锐鹰公司的产品！

如欲了解更多相关产品的信息，请联系您当地的经销商或访问我们的网页。  
使用产品之前，请先仔细阅读说明书。

Thank you for purchasing FalconEyes' products.  
For further details of our related products, please contact your local distributor or visit our webpage at [www.falconeyes.com.hk](http://www.falconeyes.com.hk)  
Please read this manual carefully before using this product.

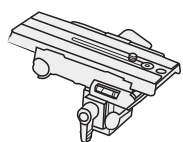
E-mail:[info@falconeyes.com.hk](mailto:info@falconeyes.com.hk)  
Website:[www.falconeyes.com.hk](http://www.falconeyes.com.hk)

## A) 产品概述 product description

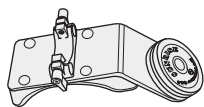
VRG-S2 单反相机摄录架采用了多项专业摄影机的元素, 令使用单反相机摄录可以拍出专业的水平。摄录架设有一个可调高低的快装底板, 可方便调较相机画面至视线水平。摄录架前端设有两支舒适防滑手柄, 令稳定性大大提高。后面设有连接负重的护肩, 令重量得以平衡分布, 提升稳定性, 更可令用户减少体力上的负荷。

VRG-S2 DSLR shoulder mounted system has applied many professional camcorder factor which can enable DSLR video recording can reach a professional camcorder standard. The DSLR shoulder mounted system has a quick release and height adjustable professional base plate which allow adjusting the screen to eye level. Two comfortable anti-slip handles located at the front which can improve the stability of the whole system. A shoulder pack with counter weight is located at the back which improve the balance of weight of the whole system and improve stability. It can even reduce the physically workload of user.

## B) 配件示意图 Parts and accessories



DSLR x1  
Baseplate



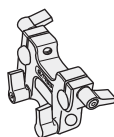
Shoulder Pad x1  
护肩负重



Hand Grip x2  
防滑手柄



Link 2C x2  
连接2C



Link 4 x1  
连接4

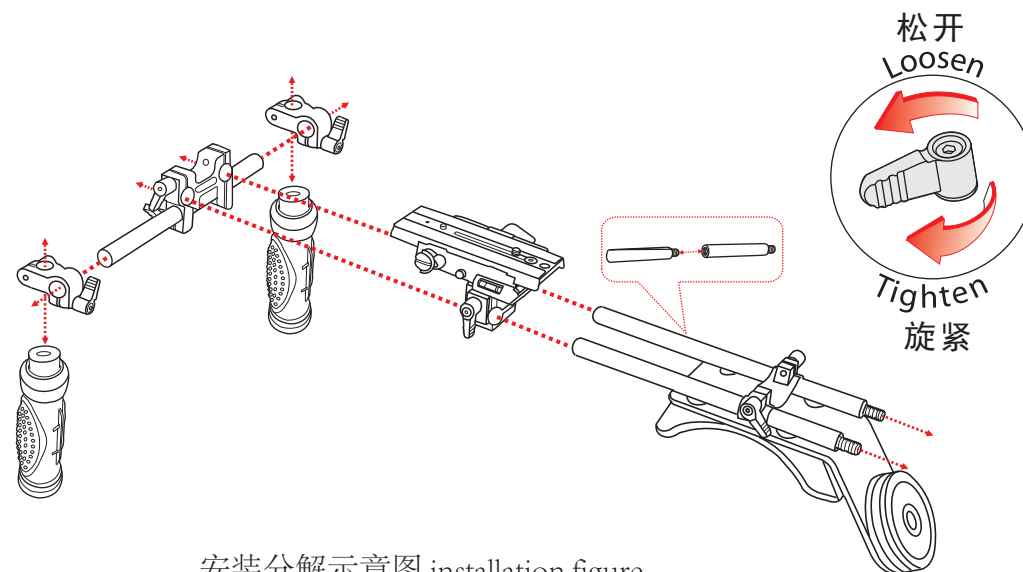


9" In Rods x4  
9吋连接杆

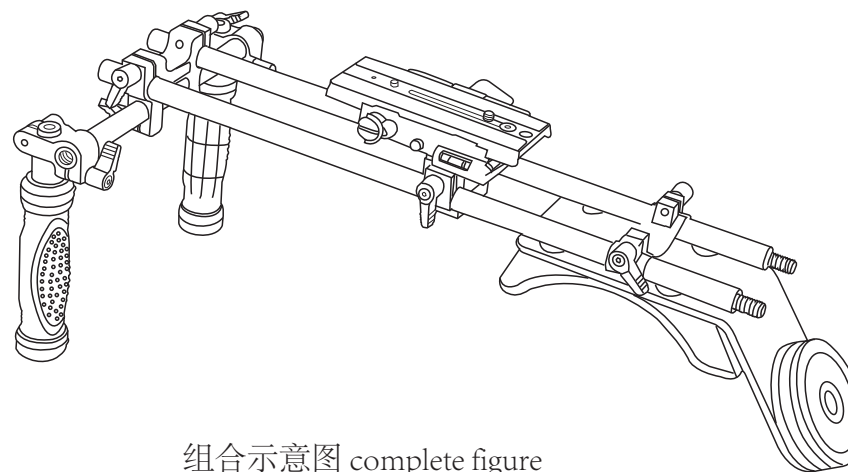


9" In Rods x1  
9吋连接杆

## C) 安装 Installation



安装分解示意图 installation figure



组合示意图 complete figure